

Specification of H103 Display



Catalogue

First:	Manual.....	3
Second:	External Dimension.....	4
Third:	Install.....	5
Fourth:	Key Functions.....	6
Fifth:	Wiring electrical definition.....	7
	a) Working voltage.....	7
	b) Connection line definition.....	7
	c) Communication methods.....	8
Sixth:	Functional Overview.....	9
	a) Switch on and off machine operation and display.....	9
	b) Main display interface and operation.....	9
	c) Average speed and maximum speed display.....	11
	d) Setting item description and operation.....	12
	i. Enter and exit the Settings page and instructions for the Settings.....	12
	ii. Unit settings and display.....	13
	iii. Maximum speed setting.....	14
	iv. Battery information.....	14
	v. System version.....	15
	vi. Hidden gear setting.....	错误! 未定义书签。
	vii. Mode setting.....	错误! 未定义书签。
	viii. Single mileage reset.....	15
Seventh:	Common questions and solutions.....	18
Eighth:	Warranty information and protection terms.....	19

1. About Manual

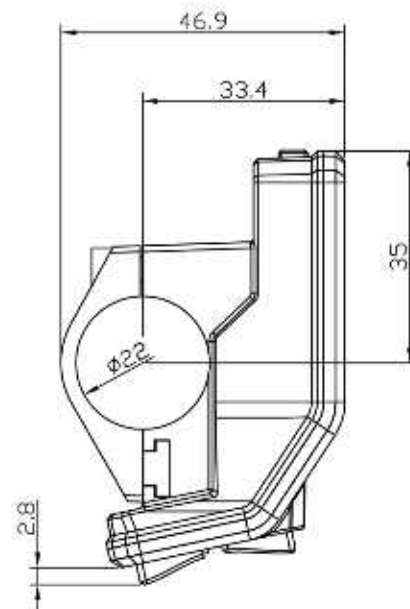
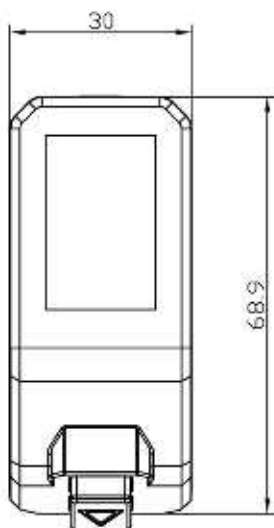
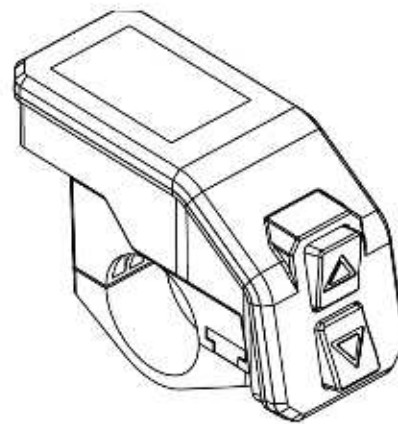
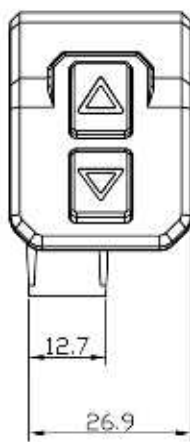
Dear users, in order to better operate your electric bike, please read the H103 instrument manual carefully before ride. We will use the most concise language to tell you the use of every detail, including the hardware installation, settings, to the normal use of the display. At the same time, help you to solve the possible confusion and obstacles.

2. Dimension

Main materials and colors

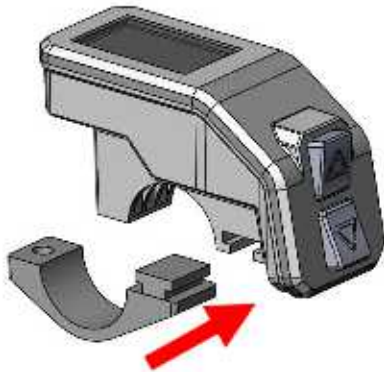
An H103 product adopts black PC material. The shell material is allowed to be used normally at $-20\text{ }^{\circ}\text{C}$ to $60\text{ }^{\circ}\text{C}$ with good mechanical performance.

Size: (unit: mm)

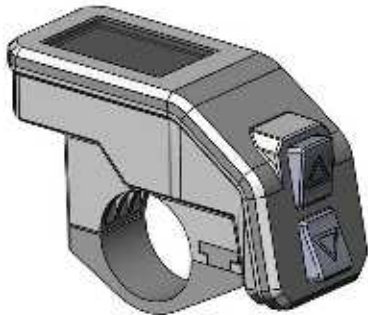


3. Install

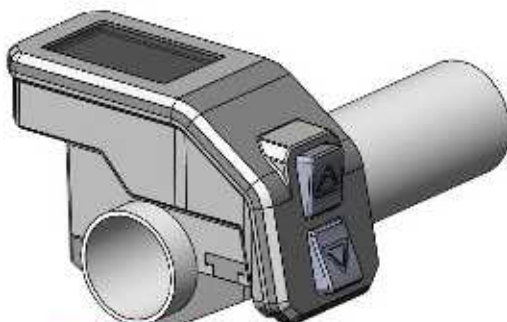
Step 1: Push the buckle component into the slot along the arrow direction.



Step 2: Push the buckle into position along the slot.

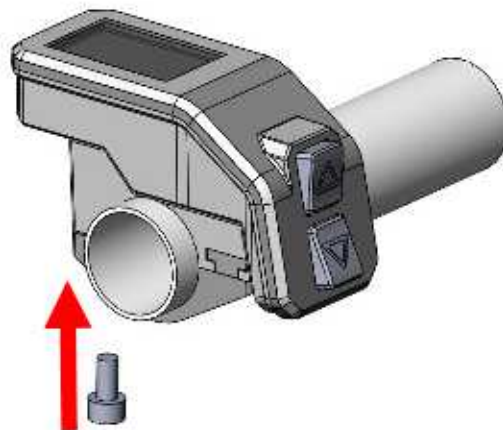


Step 3: Put the display in the handlebar. The handlebar has a diameter of 22mmmm.

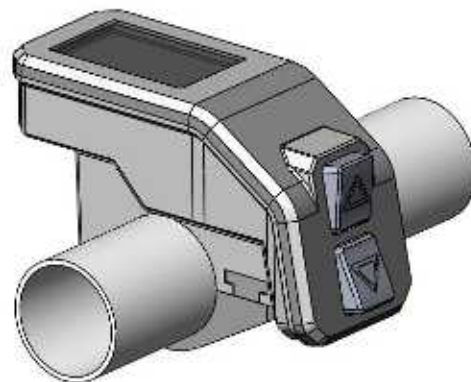


把横外径22mm

Step 4: Select the M4*8 hexagon socket screw along the arrow direction.





Step 5: Adjust the meter to an appropriate Angle and lock the meter tightly with an inner hexagon wrench.




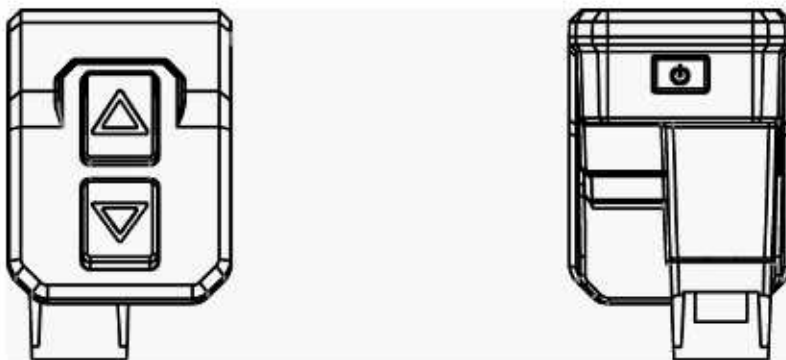
4. Key Functions

H103 display is included 3 buttons, the distribution position is shown in the figure below, and the functions are as follows :

 Power key, for switching machine and function confirmation, and information switching function.

 Adjust and increase the button, which is used to adjust the power gear, select the setting options and switch the lights.

 Adjust and reduce buttons for power gear adjustment, setting options selection and 6KM start assistant.



5. Wiring electrical definition

a) Working voltage

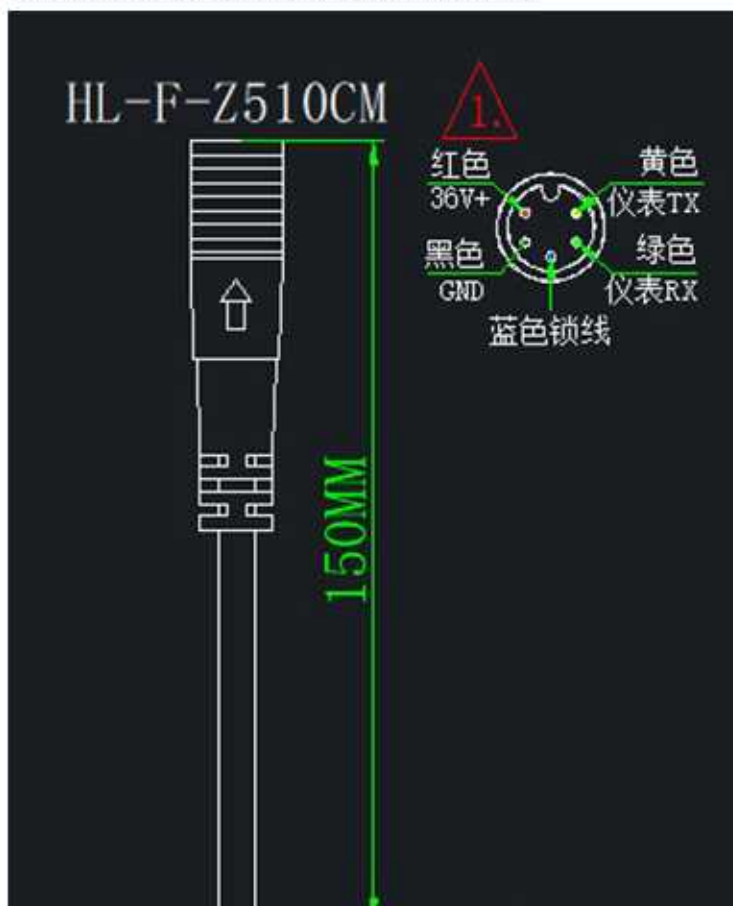
Rated working voltage: DC+36V

Minimum working voltage: DC+30V

Maximum working voltage: DC+42V

When repairing and replacing controller accessories, please confirm controller model and output voltage. Incorrect controller specification or incorrect output voltage may damage H103 meter

b) Connection line definition





c) Communication methods

This product adopts serial port communication, the communication level is compatible with 3.3v and 5V. Incorrect connection and incorrect communication interface may cause instrument communication port damage.

6. Functional Overview

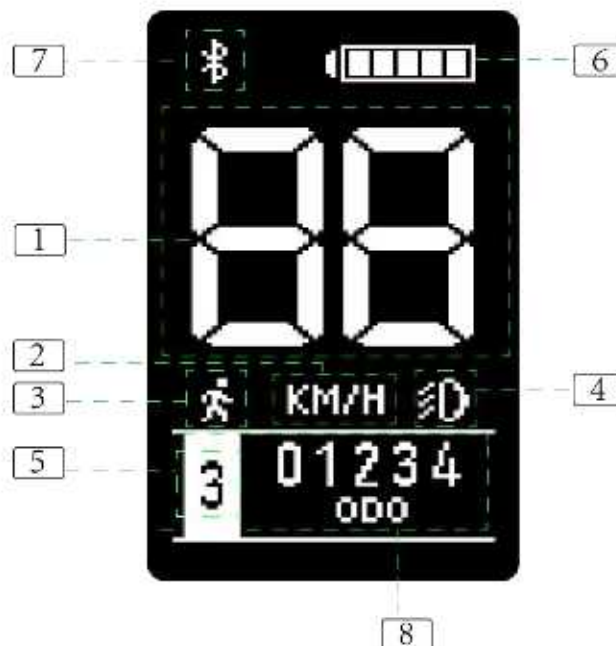
6.1. Switch on and off machine operation and display

Shut down state, continue to press down  2 seconds. The meter displays the welcome form and then enters the main form of the system.

In the power on state, press continuously  2 seconds, the meter displays the shutdown form and then the system shutdown. The button can be released.

6.2. Main form and operation

H103 provides you with a variety of displays to meet your riding needs. The display content of H103 includes:




1 Speed display :

Shows the speed of the current ride.


② Speed unit display:

You can set the select speed unit by km/h or mph.

③ 6KM Display:

When the power gear is not 0, Continuous press , for opening the 6km implementation function, This location will displays the 6km icon.

④ The lights display:

Power On mode, hold the key , more than 2 seconds, for opening or turning off the lights.

⑤ assistant level display:

Display the current assistant level, turn on the default level 0, adjustable range 0-3

⑥ Battery level display:

Display current battery power information. The battery is full of electricity, showing full, and when the last level starts flashing, the tip needs to be charged to the battery.

⑦ Bluetooth instructions:

When the instrument is connected to the machine via Bluetooth, the Bluetooth logo is displayed here. If the instrument is in the Bluetooth online mode, the Bluetooth logo will continue to shine until it is reconnected to the machine. There is no this item without Bluetooth configuration.

⑧ Information display:

- i. ODO: Shows the mileage accumulated by the user.

- ii. TRIP: Display the user's cycling mileage. The single mileage will not be cleared when power off. The user needs to reset the mileage manually in the setting interface.

6.3. Average speed and maximum speed display

Under the normal speed display interface, press the key and the key at the same time to enter the average speed and maximum speed display page, as shown below:





Average speed refers to the average speed of the vehicle up to the moment of starting up, and the maximum speed is also the maximum speed recorded so far in this starting up. After shutdown and restart, the average speed and maximum speed start recording and calculation again.


Press any key once to exit the average speed and maximum speed display.


6.4. Setting item description and operation

6.4.1. Enter and exit the Settings page and instructions for the Settings

Press the key  and  at the same time to enter the setting interface. The meter on the setting page is displayed as follows:





In the Settings page you can select  and  to modify or display the items.


After the item is selected, press the key  to confirm the perforation

If more than one page is displayed, there will be PAGE DOWN under the display area. Select PAGE DOWN to enter the next page.



In the Settings page, press  and  at the same time can quickly exit the Settings page, back to the main page display.


Wheel setting and display

Select the TIRE SIZE, and then press the key  to enter the Wheel Diameter Setting and Display Items page.

TIRE SIZE	
16"	1272
20"	1571
20"	1590
24"	1907
25"	2070
26"	2187
28"	2205
700C	2210
28"	2249
28"	2268
RETURN	

If the vehicle controller has fixed the vehicle wheel diameter size, this numeric term will not be adjustable and will only be used to display the system wheel diameter size.


6.4.2. Unit settings and display

Select the UNITS, and then press the key  to enter the Unit Settings and Display Items page.

UNITS	
KM/H	<input type="checkbox"/>
MPH	<input type="checkbox"/>

Users can adjust the display unit of mileage and speed according to actual needs. Choice of metric or British units.


6.4.3. Maximum speed setting

Select the TOP SPEED, and then press the key  to enter the Maximum Speed Setting page.



This item can be adjusted only by entering the password, which can be selected as 20KM/H, 25HK/H . Please consult the dealer or vehicle manufacturer for the password.


6.4.4. Battery information.

Select the BATTERY INFO, and then press the key  to enter the BATTERY information display page.



Display current battery voltage, battery capacity, number of charging cycles. If the battery is not recommended by the manufacturer, the battery information may not be displayed properly.


6.4.5. System version

Select the VERSION, and then press the key  to enter the Version information display page.





Display the hardware version and the software version, respectively.






6.4.6. Single mileage reset







Select the TRIP, and then press the key  to enter the TRIP page.



Press the key  and  at the same time for more than 2 seconds to clear the single mileage value.

Troubleshooting and control check

Number	Display	Fault description	Check items and measures
1		Abnormal current or MOS tube damage	1. Check the wiring between the controller and the motor 2. More the same specification controller
2		Throttle the error	If there is a transfer please check whether the transfer is stuck, or if the line is broken, the latter replace the transfer.
3		MOTOR PHASE	Check the controller cable, or replace the controller
4		Abnormal hall	1. Check the motor cable 2. Replace the motor
5		Abnormal braking	1. Release the brake and turn it on. 2. Check the brake cable.

6		BATTERY LOW	<ol style="list-style-type: none"> 1. Charge the battery 2. Replace the battery
7		Motor block	Check the motor
8		Power sensor failure	<ol style="list-style-type: none"> 1. Check the power sensor 2. Replace the power sensor
9		Abnormal communication	<p>Check the instrument wiring Or replace the meter, the controller</p>
10		Controller master control failure	Replace the controller
11		high temperature	<p>Shutdown the vehicle after cooling for a period of time before use. Overloading a hill for a long time can cause this problem</p>

7. Common questions and solutions

Q: why can't you turn it on?

Answer: the boot needs to hold down the power button for 2 seconds. If you can't turn on the check table wire beam and the controller's connector contact is secure.

Q: how should the instrument display the fault code?

A: please check the corresponding faults according to the fault description and control check. If you can't solve it, please send the vehicle to the nearest dealer.

Q: the operating instrument has no response and how to handle it.

Answer: Long presses the power key more than 2 seconds, turns on again.

8. Warranty information and protection terms

一、Warranty information:

- 1、 In case of any malfunction caused by quality problems of the product under normal use, the company will be responsible for providing a limited warranty within the warranty period.
- 2、 The warranty period of the product shall be calculated within 18 months from the date when the user purchases our instrument.

二、Warranty clause:

The following circumstances are not covered by the warranty:

1. Dismantle and modify the machine without permission.
2. Failure or damage caused by misuse or incorrect installation and debugging by users or third parties.
3. The shell of the instrument is scratched or damaged after delivery.
4. Instrument line is scratched or broken.
5. Fault or damage caused by natural disasters (such as fire, earthquake, lightning, etc.).
6. The product is out of warranty.